

PTZ-N2C200I-K/4G/C05S10 2 MP Pro Solar-powered Security PT Camera Setup



Hikvision DS-2DE2C200IWG-K/4G 2 MP Pro Solar-powered Security PT Camera Setup is ideal for outdoor HD surveillance of small businesses and private properties, as well as close-range surveillance of roads, parks, estates, farms, plantations, construction sites, etc.

- High quality imaging with 2 MP resolution
- Dual transducers – PIR and Radar work together for higher detection accuracy
- Support 4G LTE data transmission
- Built-in microphone and built-in speaker for two-way audio and audio alarm
- Support on-board storage up to 512 GB (SD card slot)
- Water and dust resistant (IP66)
- Support manual adjustment of the radar angle: 0°, 10°, and 20°

▪ Specification

Camera	
Image Sensor	1/2.9" Progressive Scan CMOS
Max. Resolution	1920 × 1080
Min. Illumination	Color: 0.01 Lux @ (F1.6, AGC ON), B/W: 0 Lux with IR
Shutter Time	1/3 s to 1/100,000 s
Day & Night	IR cut filter
Lens	
Lens Type	Fixed focal lens, 2.8 and 4 mm optional
Focal Length & FOV	2.8 mm, horizontal FOV 104°, vertical FOV 57°, diagonal FOV 121° 4 mm, horizontal FOV 84°, vertical FOV 45°, diagonal FOV 100°
Lens Mount	M12
Iris Type	Fixed
Aperture	F1.6
PTZ	
Movement Range (Pan)	0° to 340°
Movement Range (Tilt)	0° to 80°
Pan Speed	Up to 25°/s
Tilt Speed	Up to 25°/s
DORI	
DORI	2.8 mm, D: 45 m, O: 18 m, R: 9 m, I: 4 m 4 mm, D: 56 m, O: 22 m, R: 11 m, I: 5 m
Illuminator	
Supplement Light Type	IR
Supplement Light Range	Up to 30 m
Smart Supplement Light	Yes
IR Wavelength	850 nm
Video	
Main Stream	50 Hz: 12.5 fps (1920 × 1080, 1280 × 720) 60 Hz: 15 fps (1920 × 1080, 1280 × 720)
Sub-Stream	50 Hz: 12.5 fps (640 × 480, 640 × 360) 60 Hz: 15 fps (640 × 480, 640 × 360)
Video Compression	Main stream: H.265/H.264, Sub-stream: H.265/H.264/MJPEG
Video Bit Rate	32 Kbps to 8 Mbps
H.264 Type	Baseline Profile, Main Profile, High Profile
H.265 Type	Main Profile
Bit Rate Control	CBR, VBR
Region of Interest (ROI)	1 fixed region for main stream
Network	
API	ONVIF (Profile S, Profile G, Profile T), ISAPI, SDK
Audio	
Audio Type	Mono sound
Audio Sampling Rate	8 kHz/16 kHz
Environment Noise Filtering	Yes
Audio Compression	G.722.1/G.711/MP2L2/PCM/G.726/AAC-LC

Audio Bit Rate	16 Kbps(G.722.1)/64 Kbps(G.711ulaw/G.711alaw)/32~160 Kbps(MP2L2)/8~48 Kbps(PCM)/16 Kbps(G.726)/16~64 Kbps(AAC-LC)
Network	
Security	Password protection, complicated password, basic and digest authentication for HTTP, TLS 1.1/1.2/1.3, WSSE and digest authentication for Open Network Video Interface
Simultaneous Live View	Up to 6 channels
Protocols	TCP/IP, DHCP, IPv4
User/Host	Up to 32 users 3 user levels: administrator, operator, and user
Client	Hik-Connect, HikCentral Professional, Hik-Partner Pro
Web Browser	Local service: IE 11, Chrome 57.0+, Firefox 52.0+, Edge 89+
Mobile Communication	
Standard	LTE-FDD, LTE-TDD, UMTS
Frequency	EU: LTE-FDD: B1/3/5/7/8/20/28 IN: LTE-FDD: B1/3/5/8 LTE-TDD: B34/38/39/40/41 LA: LTE-FDD: B2/3/4/5/7/8/28/66 NA: LTE-FDD: B2/4/5/12/13/17/66/71 UMTS: B2/4/5
Uplink and Downlink Data Rate	EU: uplink: 5.1 Mbps, downlink: 10.3 Mbps IN: uplink: 5.1 Mbps, downlink: 10.3 Mbps LA: uplink: 5.1 Mbps, downlink: 10.3 Mbps NA: uplink: 50 Mbps, downlink: 150 Mbps
SIM Card Type	Nano SIM
Image	
Wide Dynamic Range (WDR)	Digital WDR
SNR	≥ 52 dB
Day/Night Switch	Day, Night, Auto, Schedule
Image Enhancement	BLC, HLC, 3D DNR
Image Settings	Saturation, brightness, contrast, sharpness, gain, white balance, adjustable by client software or web browser
Transducer	
Transducer Type	PIR + Radar
Detection Angle	Horizontal: 80°, vertical: 30°
Detection Range	Up to 12 m
Interface	
Ethernet Interface	1 RJ45 10 M/100 M self-adaptive Ethernet port
On-Board Storage	Built-in memory card slot, support microSD/microSDHC/microSDXC card, up to 512 GB
Built-in Microphone	1 built-in microphone
Built-in Speaker	1 built-in speaker, Max. power consumption: 1.5 W, max. sound pressure level: 10 cm: 95 dB.
Reset Key	Yes

Event	
Basic Event	Motion detection (support alarm triggering by specified target types (human and vehicle)), video tampering alarm, exception
Linkage	Upload to FTP/memory card, notify surveillance center, send email, trigger recording, trigger capture, audible warning, strobe light flashing
General	
Power	<p>Power Consumption and Current:</p> <p>Typical power scenarios: 1.85 W (4G working)</p> <p>Standby scenarios: 80 mW</p> <p>Max. Power consumption: 7 W</p> <p>Power Supply: 12 VDC ± 25%</p> <p>*For debugging only</p> <p>10 W (deviation: ± 5%) Solar panels</p> <p>Power Interface:</p> <p>Power supply interface: four-core aviation connector</p> <p>Extended solar panel: four-core aviation connector</p>
Material	Plastic
Package Dimension	375 mm × 305 mm × 398 mm (14.76" × 12.01" × 15.67")
Weight	Approx. 850 g (1.87 lb.)
With Package Weight	Approx. 4700 g (10.34 lb.)
Storage Conditions	-30 °C to 60 °C (-22 °F to 140 °F). Humidity 95% or less (non-condensing)
Startup and Operating Conditions	0 °C to 50 °C (32 °F to 122 °F). Humidity 95% or less (non-condensing)
Language	English, Ukrainian
General Function	Heartbeat, anti-banding, mirror, password protection, password reset via email
General	
Dimension	133.1 mm × 177.64 mm × 382.44mm/412.44 mm (5.24" × 6.99" × 15.06+/"16.24")
Battery	
Cycle Lifetime	27 hours (1.85 W) Full charge battery runtime without solar input.
Battery	
Battery Type	Ternary Lithium
Battery Voltage	9 V to 12.6 V
Capacity	50.76 Wh
Max. Charging Voltage	12.6 V
Max. Output Voltage	12.6 V
Operating Temperature	Charging: 0 °C to 45 °C (32 °F to 113 °F) Discharging: -20 °C to 55 °C (-4 °F to 131 °F)
Battery Life	More than 800 cycles
Approval	
RF	<p>CE-RED: EN 301489-1 V2.1.1 (BT or 2.4G), EN 301489-17 V3.1.1 (BT or 2.4G), EN 300328 V2.1.1 (BT or 2.4G), EN 62311: 2008 (BT or 2.4G)</p> <p>*CE certification is only for the device sold in the European region.</p>

EMC	CE-EMC: EN 55032:2015+A1:2020, EN 50130-4:2011+A1:2014, EN IEC 61000-3-2:2019+A1:2021, EN 61000-3-3:2013+A1:2019+A2:2021, IC: ICES-003: Issue 7, KC: KN32: 2015, KN35: 2015
Safety	CB: IEC 62368-1: 2014+A11, CE-LVD: EN 62368-1: 2014/A11: 2017, BIS: IS 13252 (Part 1): 2010/IEC 60950-1: 2005
Environment	CE-RoHS: 2011/65/EU, WEEE: 2012/19/EU, Reach: Regulation (EC) No 1907/2006
Protection	IP66: IEC 60529-2013

▪ Typical Application

Hikvision products are classified into three levels according to their anti-corrosion performance. Refer to the following description to choose for your using environment.

This model has NO SPECIFIC PROTECTION.

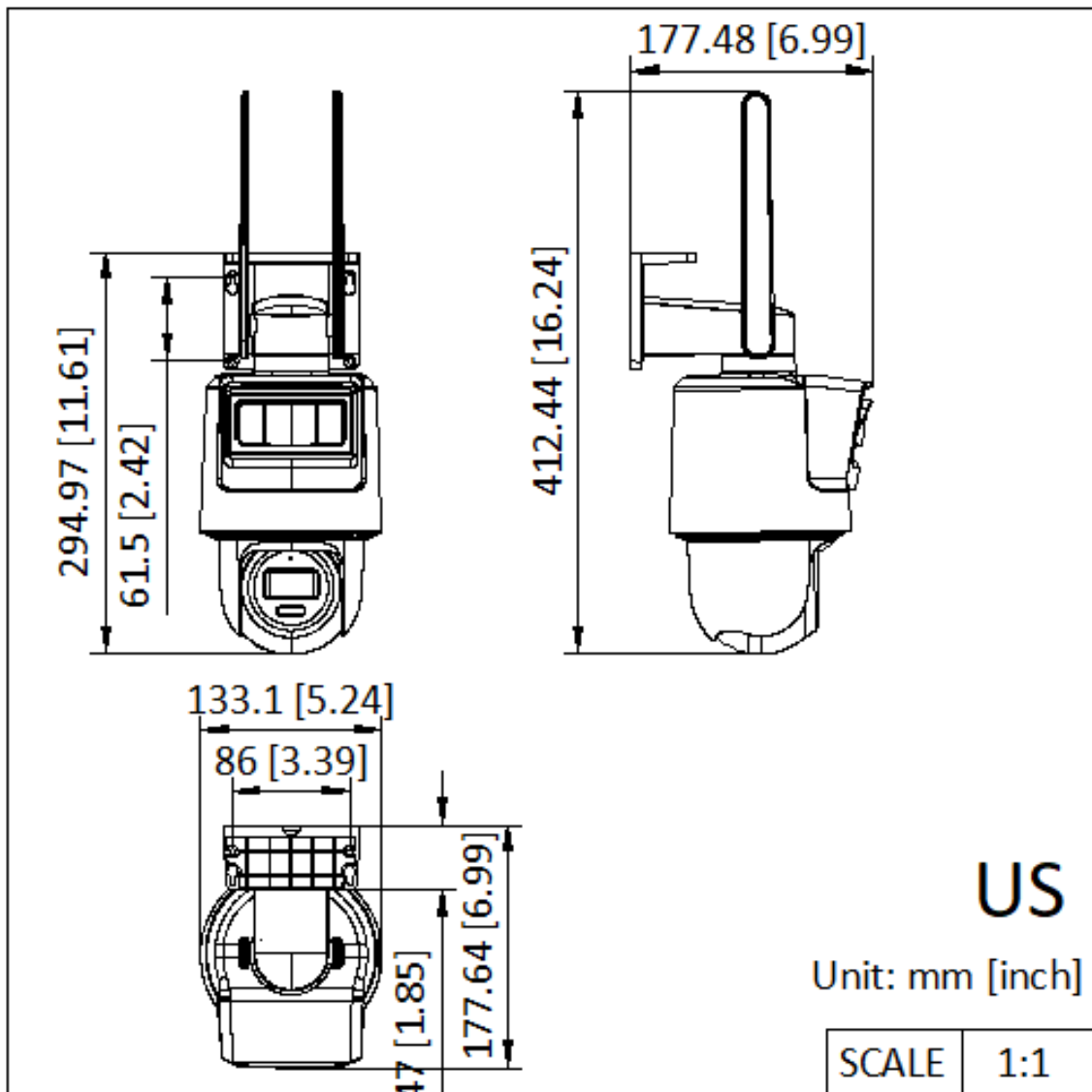
Level	Description
Top-level protection	Hikvision products at this level are equipped for use in areas where professional anti-corrosion protection is a must. Typical application scenarios include coastlines, docks, chemical plants, and more.
Moderate protection	Hikvision products at this level are equipped for use in areas with moderate anti-corrosion demands. Typical application scenarios include coastal areas about 2 kilometers (1.24 miles) away from coastlines, as well as areas affected by acid rain.
No specific protection	Hikvision products at this level are equipped for use in areas where no specific anti-corrosion protection is needed.

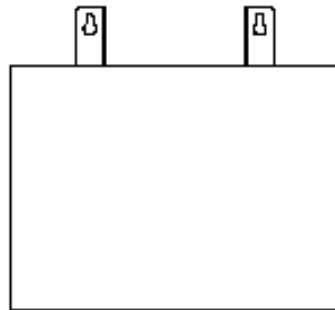
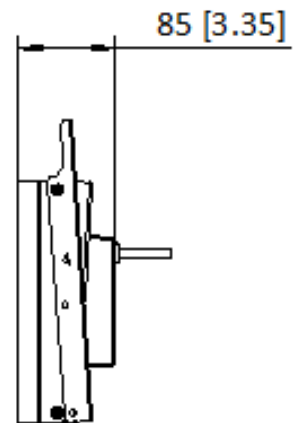
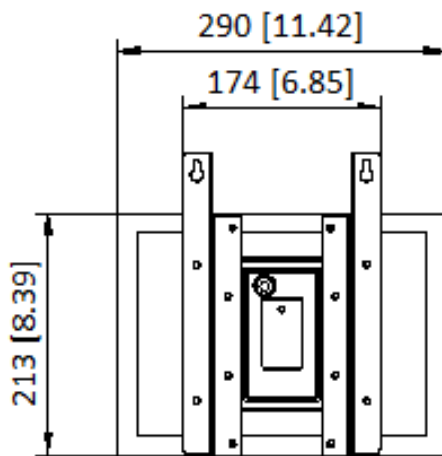
▪ Available Model

PTZ-N2C200I-K/4G/C05S10(2.8mm)(ROM)

PTZ-N2C200I-K/4G/C05S10(4mm)(ROM)

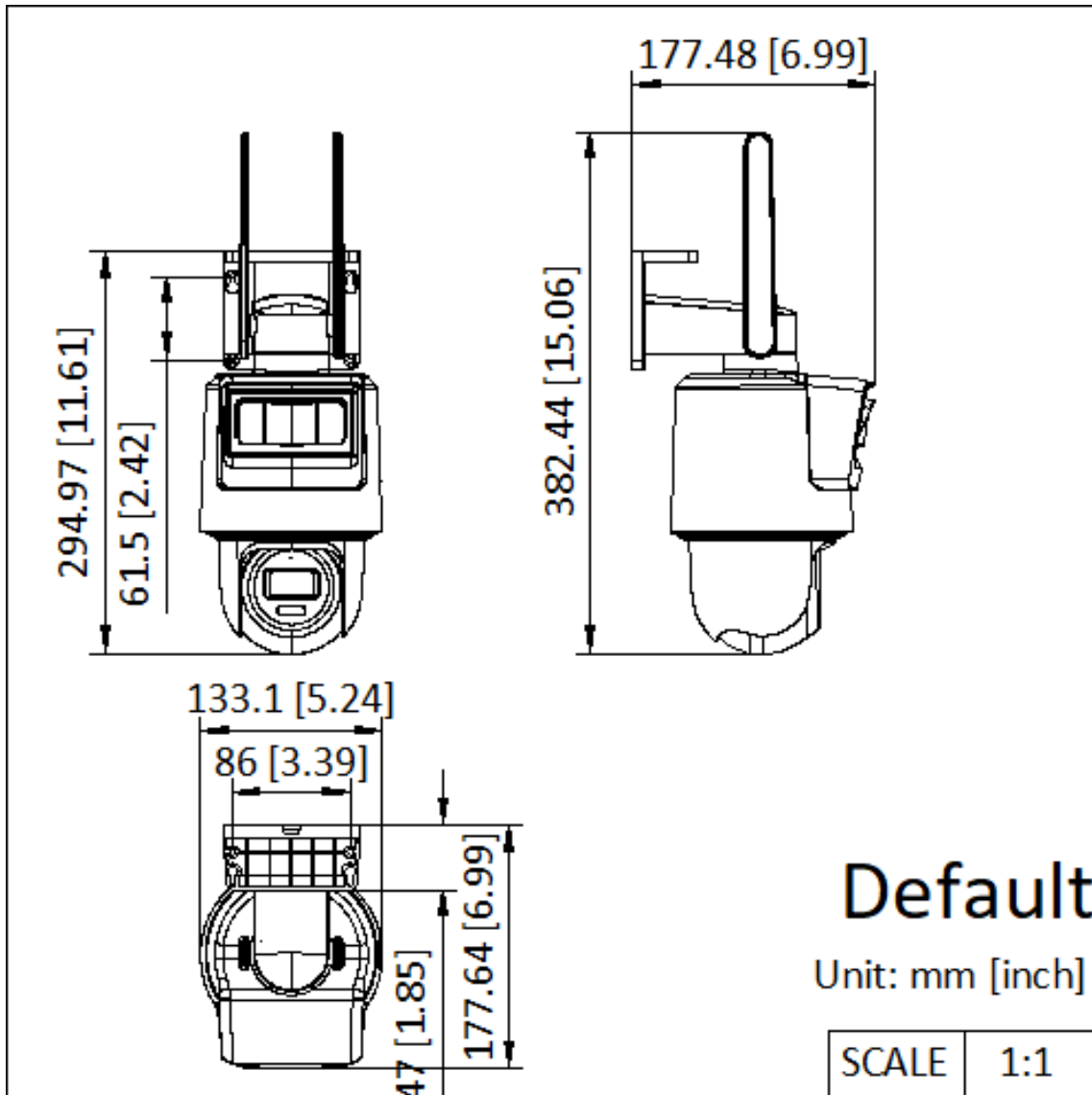
▪ Dimension





Unit: mm [inch]

SCALE	1:1
-------	-----



See Far, Go Further



www.hikvision.com
support@hikvision.com



© Hangzhou Hikvision Digital Technology Co., Ltd. Unless otherwise agreed, Hikvision makes no warranties, express or implied. We reserve the right to introduce modifications without notice.

HiLook